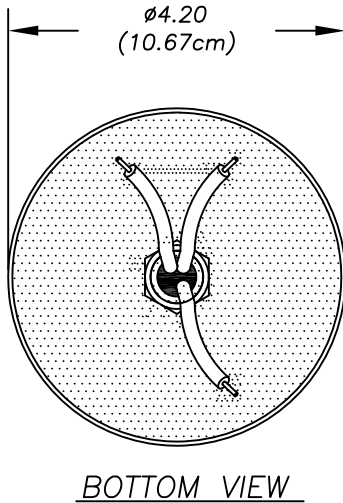
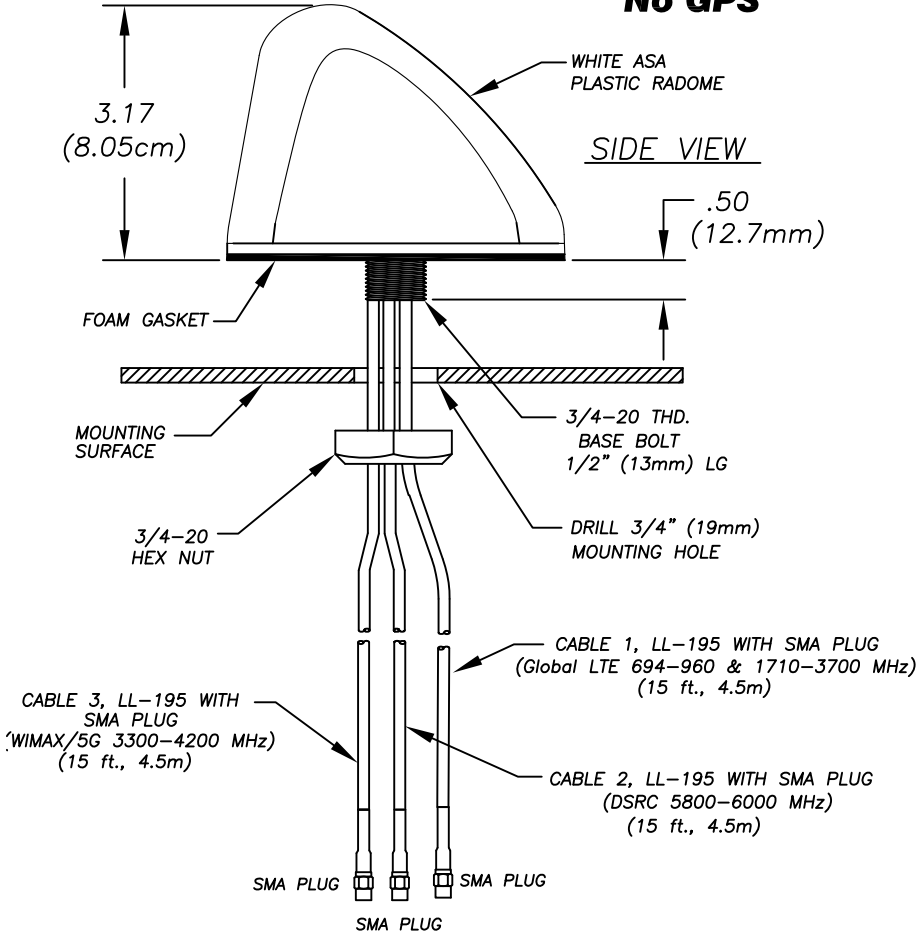


SMW417-3C3C3C00-WHT-180

Multi-band Surface Mount Antenna
1 X 694-960 & 1710-3700 MHz (Global LTE)
1 X 5800-6000 MHz (DSRC)
1 X 3300-4200 MHz (WIMAX/5G)
No GPS



Antenna Specifications:

- **Gain: ————— 3 dBi Peak for 694–960 MHz
 4 dBi Peak for 1710–3700 MHz
 5 dBi Peak for 3300–4200 MHz
 7 dBi Peak for 5800–6000 MHz
- **VSWR: ————— < 2:1 VSWR 694–960/1710–3700 MHz
 < 2:1 VSWR 3300–4200 MHz & 5800–6000 MHz
- Maximum Power: ————— 10 Watts
- Connector/Interface: ——— SMA Plugs
- Case: ————— 4.2" (10.67cm) Dia. x 3.17" (8.05cm) High
- Radome Material: ——— ASA UV Inhibitive Plastic
- Cable ————— cable 1 — LL-195, 15 ft.(4.5m) (694–960 & 1710–3700 MHz)
 cable 2 — LL-195, 15 ft.(4.5m) (5800–6000 MHz)
 cable 3 — LL-195, 15 ft.(4.5m) (3300–4200 MHz)
- Impedance: ————— 50 OHM Nominal
- Mounting: ————— 3/4" (19mm) Dia. Feed through.
 1/2" (12.7mm) lg. thread for up to
 1/4" (6.35) thick surface 304 S.S.
- Shock & Vibration: ——— IEEE1478, EN 61373, MIL-810G, TIA 329.2-C
- Dust/Water Ingress: ——— IP67
- Operating Temperature:— -40° to +80° C

** Gain and VSWR measured with 1 ft cable on 12" Ground Plane

10/30/18

MobileMark

antenna solutions

US OFFICE & HEADQUARTERS: 1140 W. THORNDALE AVE. ITASCA, IL 60143
 TEL: (847) 671-6690 * FAX (847) 250-5120

UK OFFICE: 8 MIRAS BUS PARK, KEYS PARK ROAD. HEDNESFORD WS12 2FS, UK.
 UK TEL: (+44) 1543-459555 FAX (+44) 1543-459545

VISIT OUR WEBSITE AT WWW.MOBILEMARK.COM